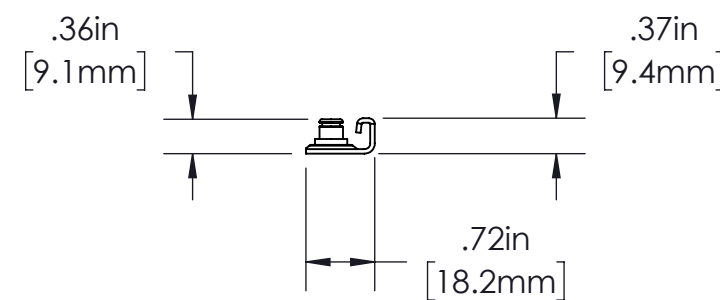
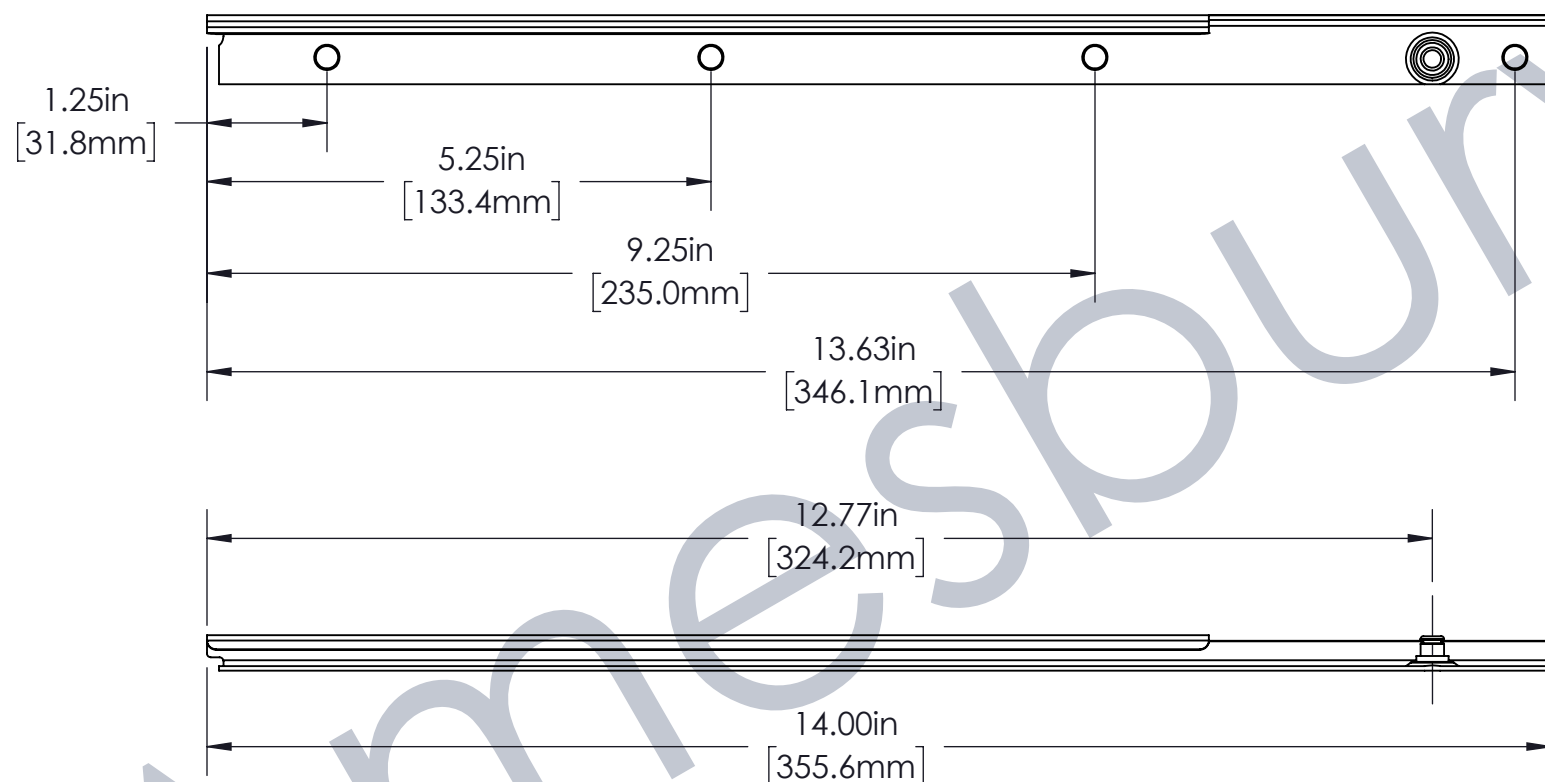
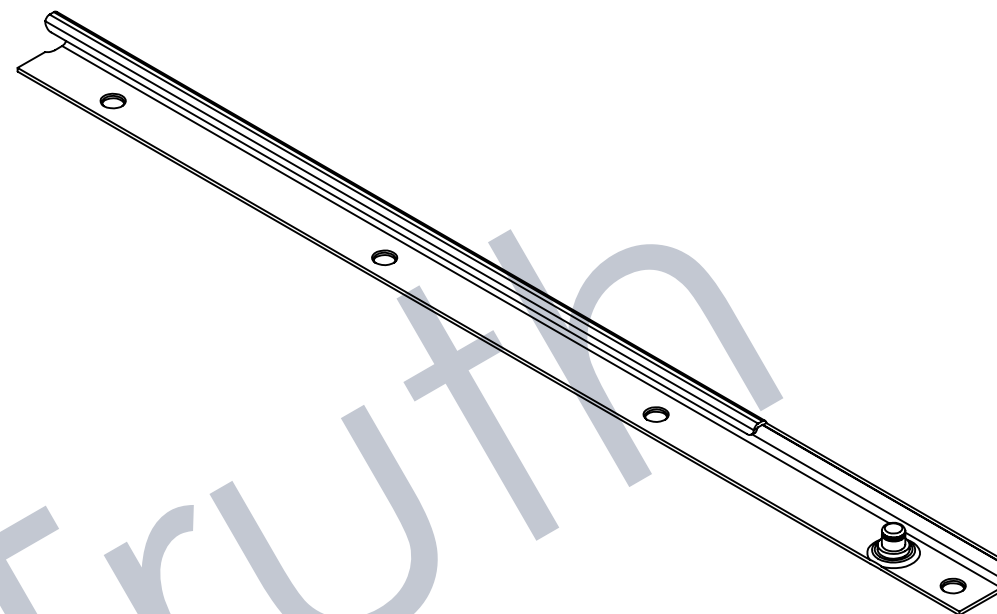


14 INCH AWNING STEEL	LEFT	13.14.00.236
	RIGHT	13.14.00.237
14 INCH AWNING SST	LEFT	13.44.00.236
	RIGHT	13.44.00.237

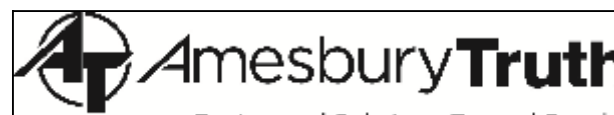
ONE ARM ASSEMBLY AND ONE TRACK ASSEMBLY
REQUIRED TO MAKE A COMPLETE HINGE.



RECOMMENDED SCREWS:
(P/N 19110.XX) NO. 7 X .750 PHILLIPS FLAT HEAD SHEET METAL SCREWS (STEEL)
(P/N 19105.XX) NO. 7 X .750 PHILLIPS FLAT HEAD SHEET METAL SCREWS (STAINLESS STEEL)

FOR USE WITH TRACK ON PVC:
NO. 7 X .750 PHILLIPS FLAD HEAD UNDERCUT SHEET METAL SCREWS.
(NOT AVAILABLE FROM TRUTH, QUANTITIES DEPEND ON HINGE USED)
SEE TRUTH TIP NO. 5 & 6

CUSTOMER PAGE



THE INFORMATION CONTAINED IN THIS
DRAWING IS CONFIDENTIAL AND PROPRIETARY.
THIS DRAWING IS NOT TO BE COPIED OR
REPRODUCED IN WHOLE OR IN PART WITHOUT
EXPRESS WRITTEN PERMISSION.

INTERPRET PER:
ASME Y14.5M-2009
UNITS: INCH

THIRD ANGLE
PROJECTION



DRAWING TITLE:
AWNING HINGE KD TRACK, 14 INCH, LEFT HAND

SCALE: 1:2
DRAWING #: 13.14.00.236

SHEET 1 OF 1